

# SKID STEER LOADER



## Specifications

Operating Weight	6475 lbs (2937 kg)
Horsepower	50 hp (37.3 kW)
Height to Bucket Pin	115 in (2921 mm)
Operating Capacity	1500 lbs (680 kg)

## Features

- ▶ Radius lift path with rugged loader arms, ready to tackle any job and ideal for digging applications
- ▶ Robust chassis with 10.5 in (266.7 mm) of ground clearance\* and a 28.3° angle of departure, able to work on soft, uneven terrain and slopes where other skid steers can't
- ▶ Easy operation with standard pilot-operated joystick controls and comfortable operator station
- ▶ Standard mechanical faced axle seals protect bearings, reducing maintenance and downtime
- ▶ Tilt-up ROPS and tilt-out coolers make daily maintenance checks quick and easy
- ▶ Available 2-speed option with 12 mph top speed for enhanced productivity

*\* Unloaded*

**WORKS FOR YOU.™**

# SPECIFICATIONS

## OPERATING SPECIFICATIONS

Loader Arms	Radial
Operating Weight	6475 lbs (2937 kg)
Shipping Weight	5750 lbs (2608 kg)
Tipping Load	3000 lbs (1361 kg)
Operating Capacity	1500 lbs (680 kg)
Max Travel Speed	7.4 mph (11.9 kph)
Max Travel Speed with optional 2 speed transmission	12 mph (19.3 kph)
Height to Bucket Pin	115 in (2921 mm)
Dump Height at Bucket Discharge	87 in (2210 mm)
Dump Reach at Bucket Discharge	22 in (559 mm)
Maximum Dump Angle at Full Height	40°
Bucket Breakout Force	3900 lbs (1769 kg)
Arm Lifting Force	3000 lbs (1360 kg)
Rear angle of Departure	28.3 °
Bucket Roll Back at Ground level	27°
Ground Clearance	
Unloaded	10.5 in (266.7 mm)
Loaded	10 in (254 mm)
Overall Length with Bucket	137 in (3480 mm)

## ENGINE

Type	Diesel, 4-cylinder, Naturally Aspirated
Model	Perkins 404D-22
Displacement	135 in <sup>3</sup> (2.2 L)
Gross Horsepower @ 2800 rpm	50 hp (37.3 kW)
Torque Peak	105 ft-lb (143 Nm)
Cooling System	Engine-Driven Fan and Coolant/Anti-Freeze Filled Radiator
Engine Block Heater	Standard, AC Plug-In Type
Intake Air Cleaner	Dual Stage
Emissions Controls	Meets All U.S. EPA Interim Tier 4 Standards

## DRIVE TRAIN

Drive System	Hydrostatic
Chain Case	Bow Tie Drive System
Chain Size	80 ANSI Chain
Wheel Size	10 x 16.5
Width Over Tires	66 in (1676 mm)
Tractive Effort	8453 lbs (3826 kg)
Wheel Base	40.6 in (1031 mm)

## SERVICE CAPACITIES

Fuel Tank	25 gal (95 L)
Hydraulic Tank	8 gal (30 L)
Engine Coolant/Anti-freeze	3.5 gal (13 L)
Engine Oil (including filter)	11.2 quarts (10.6 L)



## AUXILIARY HYDRAULIC SYSTEM

System Pressure, Maximum	3335 psi (230 bar)
Controls	Pilot Hydraulic Joystick
Couplers	3/4 in Flat Faced
Auxiliary Pump Flow	17.1 gpm (65 lpm)

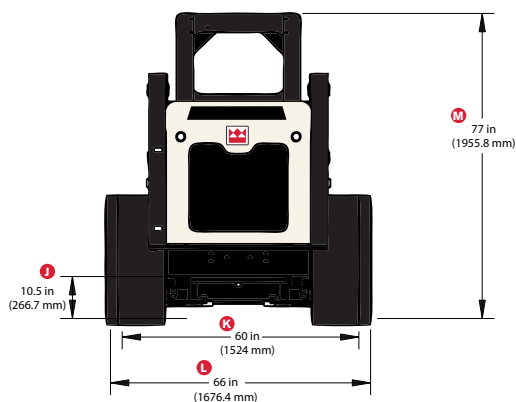
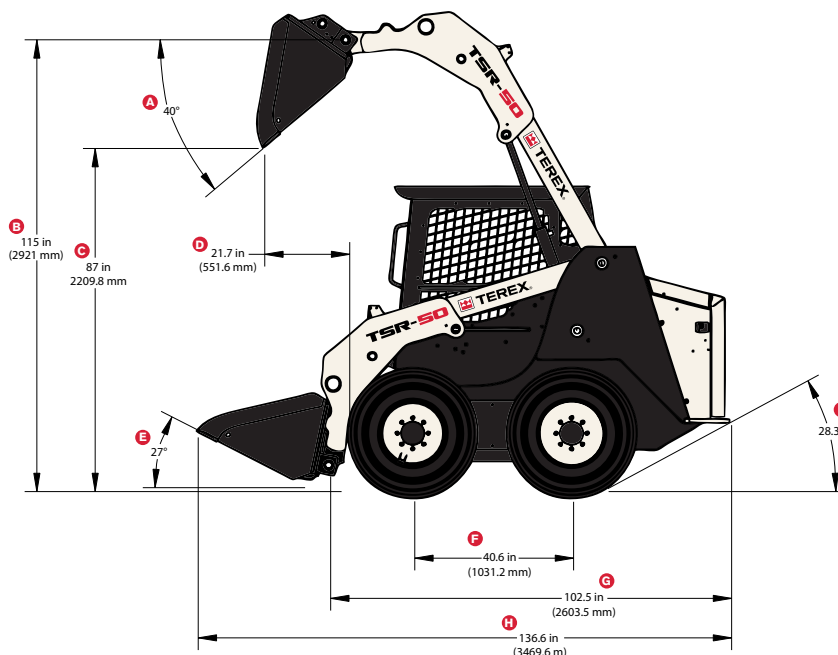
## ELECTRICAL SYSTEM

Normal Charge	12V
Battery	950 CCA
Charging System	65 Amp Alternator
Outlets	1-12V Port Inside Operator Station

## OPERATOR STATION

Seat: Standard seat with an optional adjustable suspension seat available.	
Loader Control: Right-hand pilot hydraulic joystick controls loader lift/tilt, with intermittent control of auxiliary hydraulics.	
Drive Control: Left-hand pilot hydraulic joystick controls machine speed and direction.	
Engine speed control	Foot Throttle
Indicators/Gauges	Fuel Tachometer Engine Temperature Hour Meter Battery Two Speed Oil Level Hydraulic Temperature Water Temperature
ROPS/FOPS	Meets ISO 3471:2008 ISO 6683:2005 ISO 3449:2005 Level 1
Illumination	2 Forward Facing Lights 2 Rear Facing Lights

## DIMENSIONS: GENERAL PURPOSE BUCKET



## MEASUREMENTS

A	Dump Angle	H	Overall Length with Bucket
B	Height to Hinge Pin	I	Rear Angle of Departure
C	Height to Bucket Discharge	J	Unloaded Ground Clearance [ 10 in (254 mm) Loaded]
D	Reach at Full Height	K	Width Between Tires with Rims Reversed
E	Bucket Rollback at Ground Level	L	Width Between Tires
F	Wheel Base	M	Overall Height to Top of ROPS
G	Overall Length without Bucket		

# OPTIONAL EQUIPMENT

## OPTIONAL ATTACHMENTS

Auger Drive And Bits	Brush Cutter, Rotary	Snow Blade
Backhoe	Dozer Blade	Snow Blower
Broom, Rotary	Eliminator Rake	Stump Grinder
Bucket, General Purpose	Grapple Bucket	Trencher
Bucket, Light Material	Pallet Forks	Vibratory Roller
Bucket, Multi-Purpose	Power Box Rake	

*Additional attachments available upon request.*

[www.terex.com](http://www.terex.com)

Effective Date: January 2011. Product specifications and prices are subject to change without notice or obligation. The photographs and/or drawings in this document are for illustrative purposes only. Refer to the appropriate Operator's Manual for instructions on the proper use of this equipment. Failure to follow the appropriate Operator's Manual when using our equipment or to otherwise act irresponsibly may result in serious injury or death. The only warranty applicable to our equipment is the standard written warranty applicable to the particular product and sale and Terex makes no other warranty, express or implied. Products and services listed may be trademarks, service marks, or trade names of Terex Corporation and/or its subsidiaries in the USA and other countries. All rights are reserved. Terex is a registered trademark of Terex Corporation in the USA and many other countries. © 2011 Terex Corporation.

Terex Construction 8800 Rostin Road, Southaven, MS 38671 USA  
Tel +1 (888) 90-TEREX [www.terex.com](http://www.terex.com)



**WORKS FOR YOU.™**

TSR60 0111 PN 280225