



Stump Grinders

Stumpex Stump Attachment



DURABLE • PRODUCTIVE • COST-EFFECTIVE



fecon.com
3460 Grant Dr.
Lebanon, OH 45036
sales@fecon.com
+1 513 696 4430

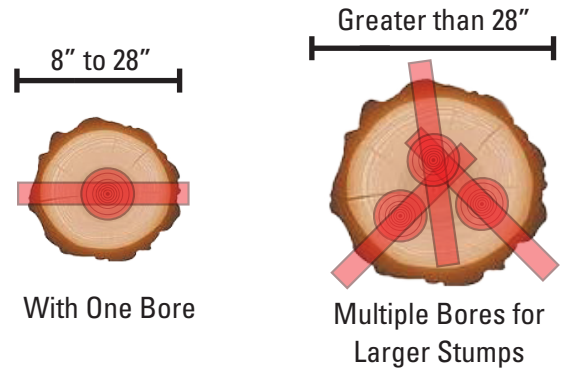
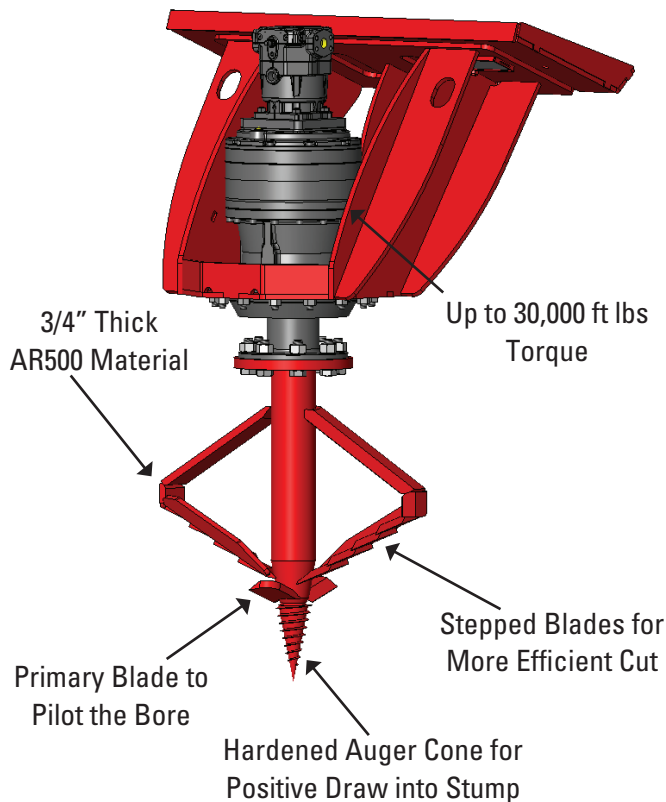
LESS IS MORE

- High Torque, 20,000 - 30,000 ft lbs for High Production
- No Carbide Tools to Replace
- Low Maintenance (Greasing & Sharpening every 1,000 Stumps)
- Low RPM Auger Bit (7-16 RPM) Leads to Easy Clean-up and has no High Speed Flying Debris for Safer Work Zone
- Fraction of Work Time Compared to Conventional Stumpers
- Mount on Skid Steers with 20 - 42 GPM

HOW IT WORKS

- Any Species of Wood
- Bores 20" into Ground while Cutting Feeder Roots
- Durable AR500 Steel Blades make the Stumper Tough, Even in Rocky Conditions
- Safer than Conventional Stumpers due to Slow Rotation Auger Bit Action

POWERFUL & DURABLE



Flow	Speed	Depth /Min	Depth / Min
GPM	RPM	3/4" Bit	1" Bit
20	7.3	5.5"	7.3"
24	8.8	6.6"	8.8"
28	10.2	7.7"	10.2"
32	11.7	8.8"	11.7"
36	13.1	9.8"	13.1"
40	14.7	11"	14.8"
42	16.1	12.1"	16"



- Operators cab must be protected with both properly maintained 1/2" LEXAN® Glass (or equal) and Falling Object Protection.
- Always insure that your carrier manufacturers safety features (including Falling Object Protection, and Roll-Over Protection meet your job safety requirements.
- Certain guarding and features may have been removed for illustrative purposes, always run with proper guarding.
- Weights are subject to vary based on options. • Safety Is The Responsibility Of The Operator.
- Specifications subject to change without notice. • Pictures may contain optional accessories.
- Photographs may have been altered for marketing purposes.



GS-30F-0019S